



Customer information packet

34M237S501G1

.33HP, 2850RPM, 1PH, 50HZ, 56CZ, 3416L, OPSB, W

Brahma Engineering LLC.

Class - None

Division - Not Applicable

Specifications

Enclosure	OPSB
Frame	56CZ
Frame Material	Steel
Frequency	50.00 Hz
Output @ Frequency	.330 HP @ 50 HZ
Phase	1
Synchronous Speed @ Frequency	3000 RPM @ 50 HZ
Voltage @ Frequency	220.0 V @ 50 HZ
XP Class and Group	None
XP Division	Not Applicable
Agency Approvals	UR CSA
Ambient Temperature	40 °C
Auxillary Box	No Auxillary Box
Auxillary Box Lead Termination	None
Base Indicator	No Mounting
Bearing Grease Type	Polyrex EM (-20F +300F)
Blower	None
Current @ Voltage	3.400 A @ 220.0 V
Design Code	N
Drip Cover	No Drip Cover
Duty Rating	CONT
Efficiency @ 100% Load	54.0 %
Electrically Isolated Bearing	Not Electrically Isolated
Feedback Device	NO FEEDBACK
Front Face Code	Standard
Front Shaft Indicator	Standard
Heater Indicator	No Heater
High Voltage Full Load Amps	3.4 a
Insulation Class	B
Inverter Code	Not Inverter
KVA Code	L

Part detail

Revision	G
Type	AC
Mech. spec.	34M237
Base	
Status	PRD/A
Elec. spec.	34WGS501
Layout	34LYM237
Eff. date	04-05-2022
CD Diagram	CD0327A02
Poles	02
Leads	5#18,1#16 (02 per group) #4TH Y
Proprietary	False
Created date	05-16-2013

Lifting Lugs	No Lifting Lugs
Locked Bearing Indicator	Locked Bearing
Motor Lead Exit	Ko Box
Motor Lead Quantity/Wire Size	5 @ 18 AWG
Motor Lead Termination	Flying Leads
Motor Standards	NEMA
Motor Type	3416L
Mounting Arrangement	W8
Number of Poles	2
Overall Length	10.75 IN
Power Factor	60
Product Family	General Purpose
Pulley End Bearing Type	Ball
Pulley Face Code	C-Face
Pulley Shaft Indicator	Standard
Rodent Screen	None
RoHS Status	ROHS COMPLIANT
Service Factor	1.15
Shaft Diameter	0.625 IN
Shaft Extension Location	Pulley End
Shaft Ground Indicator	No Shaft Grounding
Shaft Rotation	Reversible
Shaft Slinger Indicator	Shaft Slinger
Speed	2850 rpm
Speed Code	Single Speed
Starting Method	Direct on line
Thermal Device - Bearing	None
Thermal Device - Winding	None
Vibration Sensor Indicator	No Vibration Sensor
Winding Thermal 1	Automatic Thermal Overload
Winding Thermal 1 Location	SB
Winding Thermal 2	None

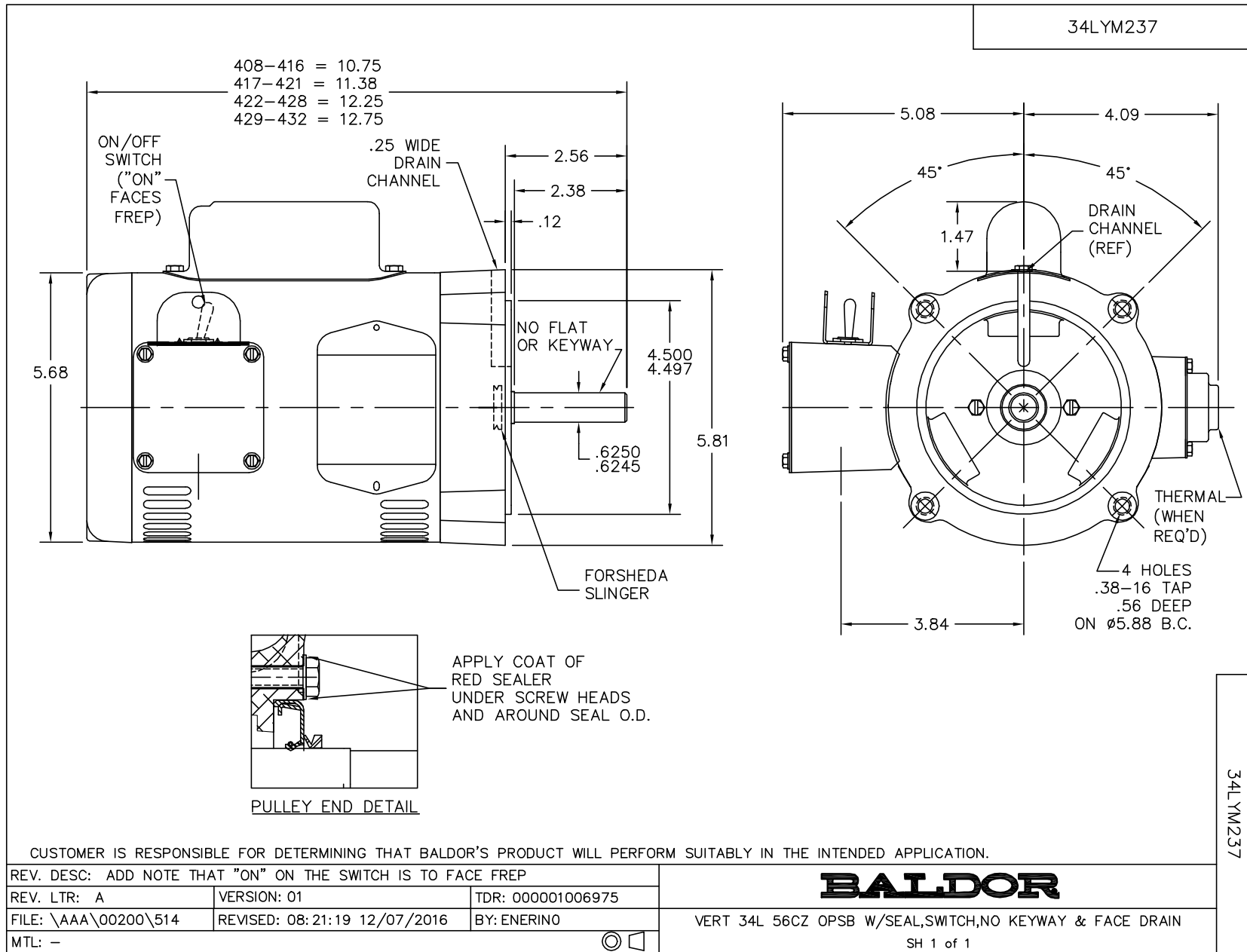
Nameplate

NP2219L			
CAT NO			
SPEC.	34M237S501G1		
FRAME	56CZ	HP	.33
VOLTS	220		
MAG CUR		FLA	3.4
RPM	2850	RPM MAX	
HZ	50	PH	1 CLASS B
SER.F.	1.15	DES	N SL HZ
NEMA-NOM-EFF	54	WK2	0.015
BLWR V	PH	HZ	A
RATING	40C AMB-CONT		
DE BRG	6203	ODE BRG	6203
CC		SER.NO	

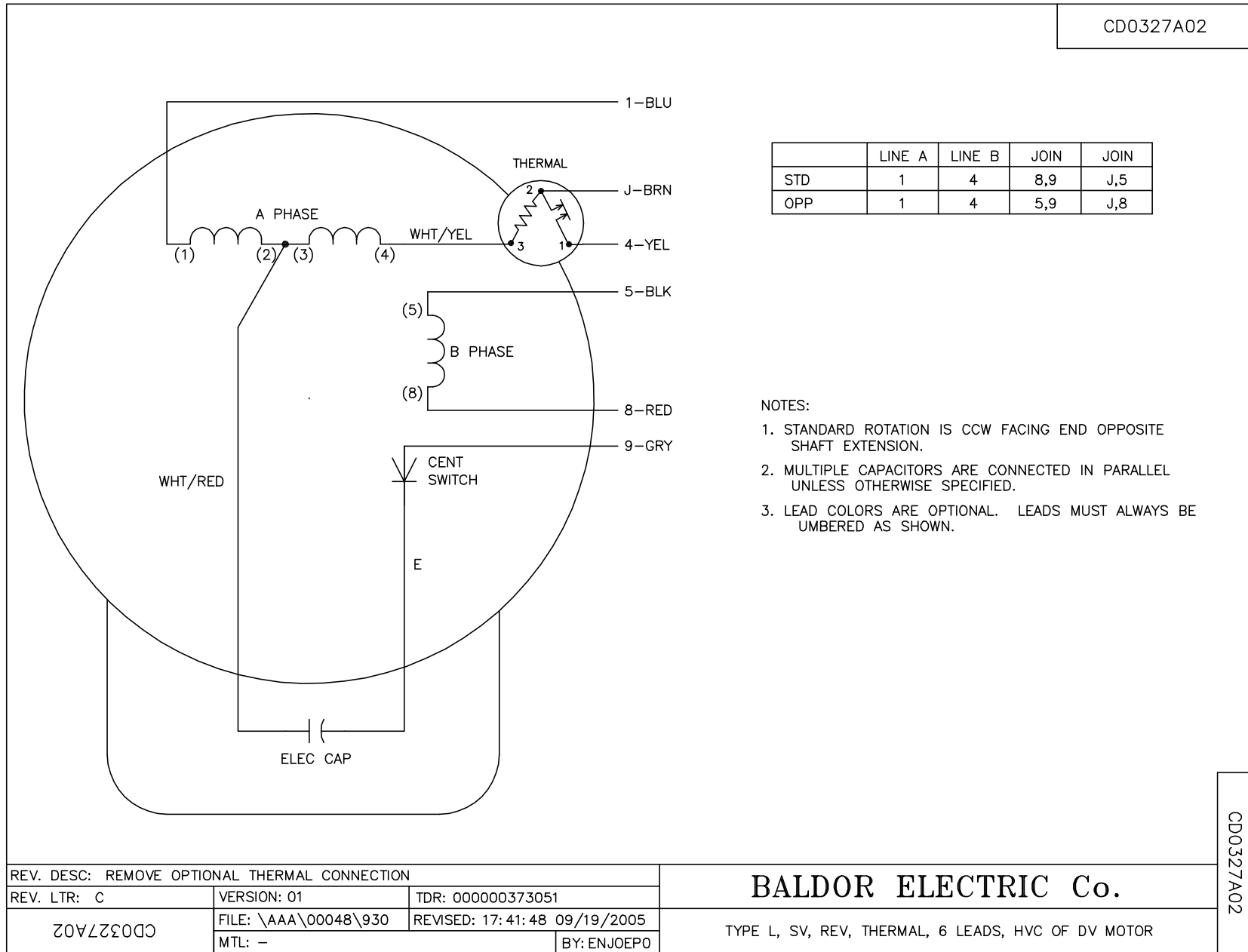
Parts list

Part number	Description	Quantity
SA263463	SA 34M237S501G1	1.000 ea
RA250182	RA 34M237S501G1	1.000 ea
EC1130A02SP	ELEC CAP, 130-156 MFD, 125V, 1.48D X 3.3	1.000 ea
NS2512A01	INSULATOR, CONDUIT BOX X	1.000 ea
34CB3002A08P	CB W/.50 DIA @ 6 & .88 DIA @ 12, TOGGLE S	1.000 ea
51XB1016A07	10-16 X 7/16 HXWSSLD SERTYB	2.000 ea
11XW1032G06	10-32 X .38, TAPTITE II, HEX WSHR SLTD U	1.000 ea
51XW0832A07	8-32 X .44, TAPTITE II, HEX WSHR SLTD SE	2.000 ea
34EP3100A03SP	FR ENDPLATE, MACH	1.000 ea
HW5100A03	WAVY WASHER (W1543-017)	1.000 ea
SP9000SP	80600BJ A-H OR 1520237-2 TYCO;2PST,125/2	1.000 ea
WD4000A06SP	SWITCH GUARD FOR TOGGLE SWITCH	1.000 ea
85XU0407S04	4X1/4 U DRIVE PIN STAINLESS	2.000 ea
34CB4800SP	CAPACITOR COVER, STAMPED PRIMED	1.000 ea
51XB1016A05	10-16X5/16HX WA SL SR TYB (F/S)	2.000 ea
34EP3300A109	PU ENDPLATE, MACH WITH FACE DRAIN	1.000 ea
HW4600B39SP	V-RING SLINGER 0.550 X 0.790 X .18 VITON	1.000 ea
HW4600B68	6597 SEAL (VITON) (C-R)	1.000 ea
51XN1032A20	10-32 X 1 1/4 HX WS SL SR	2.000 ea
34CB4517	CB LID 4 MTG HOLES .22 DIA STAMPED, FOR	1.000 ea
51XW0832A07	8-32 X .44, TAPTITE II, HEX WSHR SLTD SE	4.000 ea
MJ5001A27	32220KN GRAY SEALER *MIN BUY 4 QTS=1GAL	0.001 qt
HA3205A50	U550-N SWITCH NUT/CARLING	1.000 ea
MG1000G27	MED CHARCOAL METALLIC GREY 400-0096	0.014 ga
85XU0407S04	4X1/4 U DRIVE PIN STAINLESS	2.000 ea
WD4006C05	ORANGE, WIRENUT, G-B #13-003 ORGSIZE 73B	4.000 ea
HA3100A12	THRUBOLT 10-32 X 7.375	1.000 ea
SP5056A128	MODEL 34 TYPE L STATIONARY SWITCH WITH L	1.000 ea
LC0327A02	CONN LABEL 1PH, SV, REV, THRMAL, 6LD, HV	1.000 ea
LB1118	LABEL,WARNING (ROLL LABEL)	1.000 ea
MN416A01	TAG-INSTAL-MAINT no wire (2100/bx) 4/22	1.000 ea

NP2219L	WV0DESIGNS.COM CUSTOMER LOGO	1.000 ea
35PA1066	PKG GRP, PRINT PK1008A06	1.000 ea
PK3083	STYROFOAM PACKING CRADLE	1.000 ea
LB1417	LABEL CARTON 6X4 PERFORATED BLANK ROLLS	1.000 ea
PK3088	MICROFOAM, 8"X"8 PERF. SHEETS	1.000 ea



CD0327A02



	LINE A	LINE B	JOIN	JOIN
STD	1	4	8,9	J,5
OPP	1	4	5,9	J,8

NOTES:

1. STANDARD ROTATION IS CCW FACING END OPPOSITE SHAFT EXTENSION.
2. MULTIPLE CAPACITORS ARE CONNECTED IN PARALLEL UNLESS OTHERWISE SPECIFIED.
3. LEAD COLORS ARE OPTIONAL. LEADS MUST ALWAYS BE UMBERED AS SHOWN.

REV. DESC: REMOVE OPTIONAL THERMAL CONNECTION		
REV. LTR: C	VERSION: 01	TDR: 000000373051
CD0327A02	FILE: \AAA\00048\930	REVISED: 17:41:48 09/19/2005
	MTL: -	BY: ENJOEPO

BALDOR ELECTRIC Co.

TYPE L, SV, REV, THERMAL, 6 LEADS, HVC OF DV MOTOR

CD0327A02